

PTH

Temporary Workers' Dormitory In Laos

1. Project No : PT180634
2. Date : 2018
3. Location : Laos
4. Scale : 8 units
6X3m detachable container
5. Category : Container house
6. Function : temporary worker dormitory
7. Size : 6X3m detachable container



PROJECT DESIGN



PTH owns 100+ architect and engineers at home and abroad, to provide customized design service for client with different requirements. We use the relevant information data of construction projects as the basis of the model to build the building model, and simulate the real information of the building through digital information simulation.

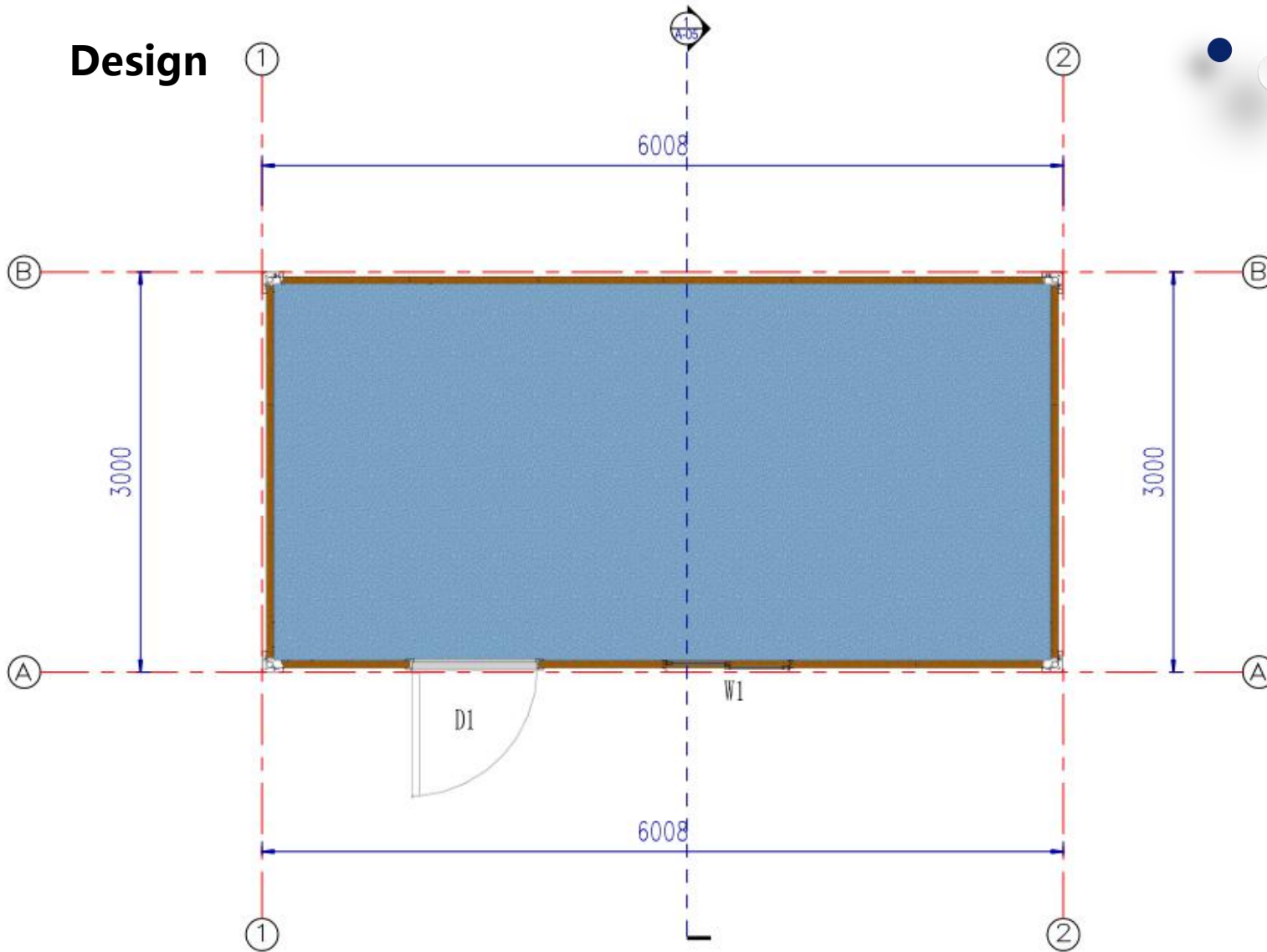
At present, we have finished the Revit research and development of company's products, laying a solid foundation to finish design effectively and accurately and also presenting details and three dimensional effects of our company's products to customers.

Project features: In order to make full use of space, client choose PTH's standard detachable container for temporary dormitory of workers. The size of each one is 6008mmx3000mm and the height is 2.60m with 1 door and 2 windows,

Solution advantages:

1. All components are mechanized production, one-piece molding, high production accuracy.
2. The upper part of the component contains reserved holes. Including 12mm threaded holes and self-tapping screw pre-holes, no need to stake out holes on site.
3. The structure is easy to install, the types of components are few, and the installation on site is convenient.
4. Wall panels can be interchanged in position and compatible with a variety of housing uses.
5. For special areas with high temperature requirements, the insulation can be achieved by replacing the wall panels and increasing the top and bottom insulation.

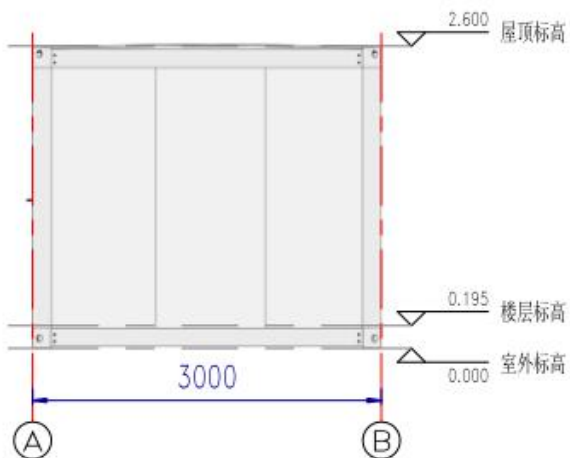
Design



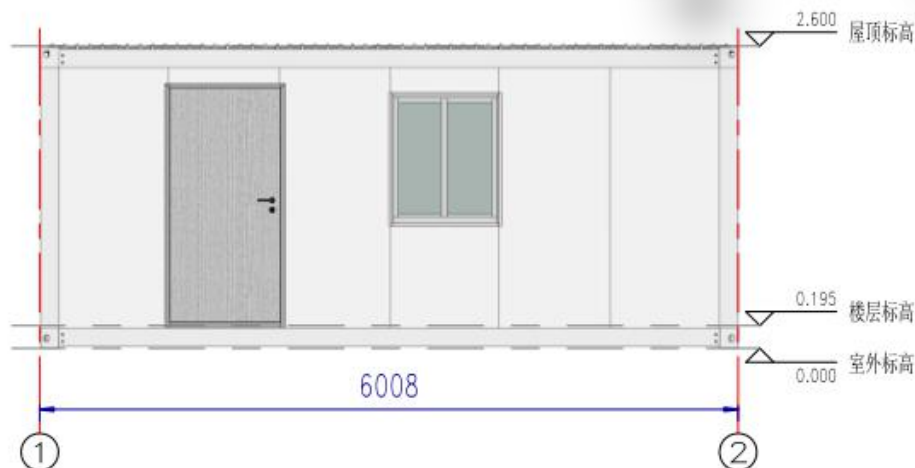
The preliminary design is made in accordance to client's requirement and local building code. After getting the permission by local authority, PTH will do the shop drawing for production.

平面布置图

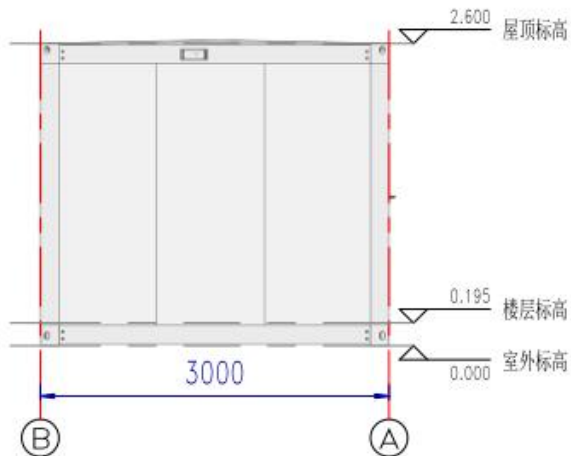
Design



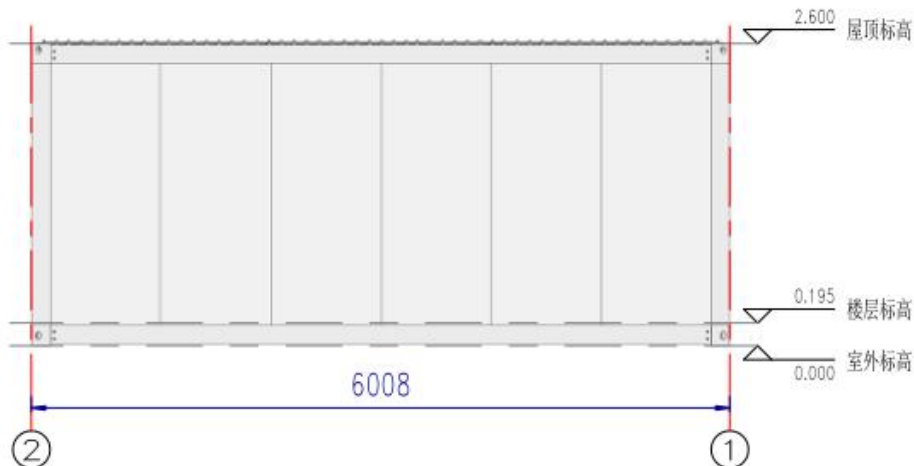
东立面布置图



南立面布置图

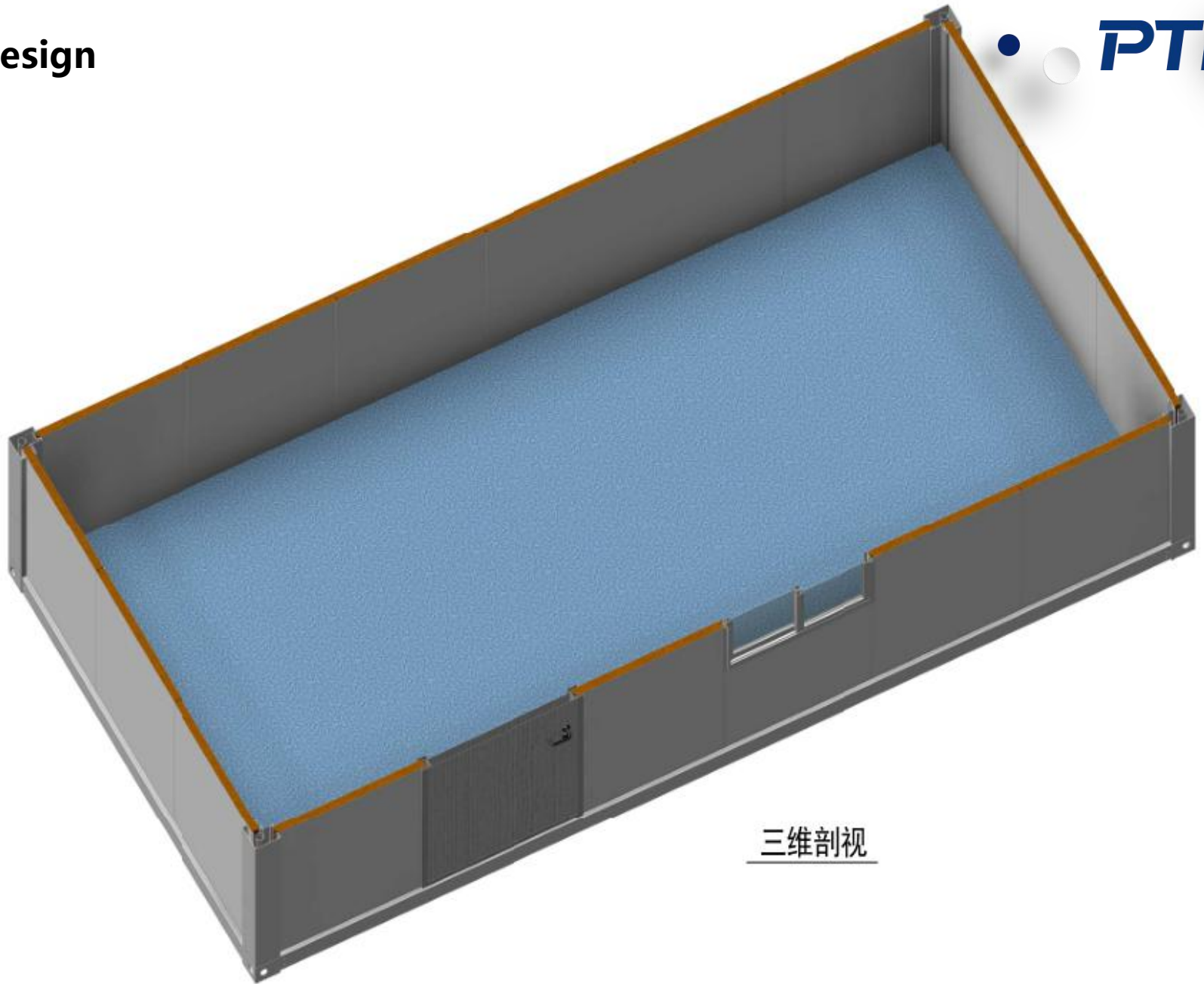


西立面布置图



北立面布置图

Design



三维剖视

Design



**URL : www.pthhouse.com / www.putianhouse.com
E-mail : inquiry@putianhouse.com**

PRODUCTION & DELIVERY



PROCUREMENT :

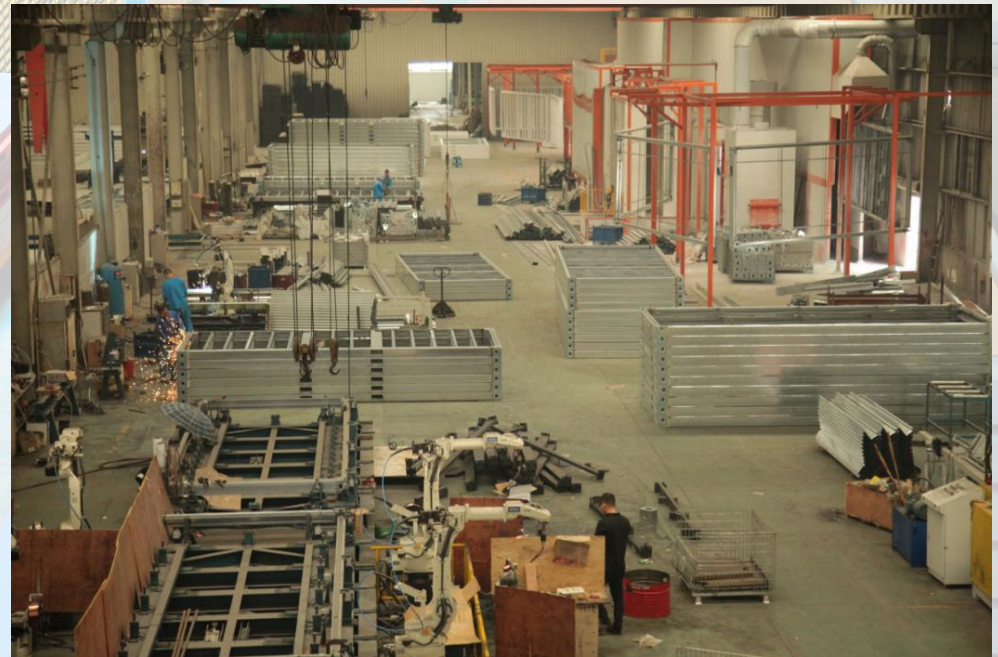
PTH has a mature procurement supply chain, including product raw materials, kitchen and bathroom accessories, home equipment and other supporting facilities. Each year, PTH conducts quality assessments of suppliers, resolutely rejects unqualified suppliers, and guarantees the quality of products from the source.

PRODUCTION :

PTH owns hundreds of fully automatic mechanized production lines, which ensures high production efficiency and timely delivery. In the manufacturing process, PTH can provide production progress reports to customers through pictures and video. PTH has a professional quality inspection team which takes strict quality control in each process, and make sure defect product never be delivered to client.

TRANSPORTATION :

PTH, who has more than 20 years of international logistics experience. can provide customers with the best transportation routes, customs declaration, commodity inspection and other services, and truly realizes "door to door."



PRODUCTION PICTURES



Quality is the life of an enterprise and the foundation of sustainable development. PTH strictly follows the ISO9000 quality system and makes quality control in each process from material procurement to finish product delivery.

For the outsourcing raw material and accessories, it is reported to the ICQC team for inspection. ICQC will inspect according to "Raw Material Inspection Regulations", make sure the material technical specs and quality meets GB standard, then upload the inspection record, QC document and test report to ERP system.



PRODUCTION PICTURES



PTH makes random inspection system for the manufacturing process. IPQC makes daily random inspection according to the quality requirement of each order, so as to avoid defect products.

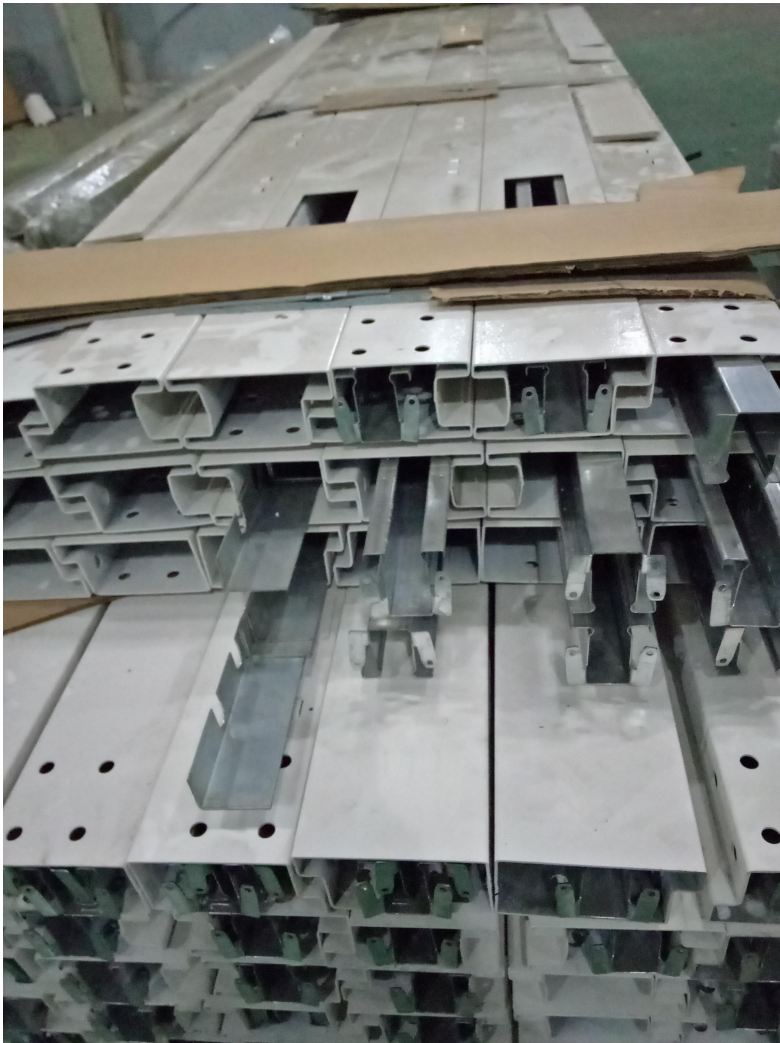
The production team also set up process quality report system. Only those qualified products can be transferred to the next process.



PACKAGE & LOADING



PTH designs reasonable packaging solutions based on product structure characteristics and customer quality requirement. Putian special container packaging method is adopted, and each package is well fixed and protected to avoid damage during transportation.



PACKAGE & LOADING



INSTALLATION



PTH will provide complete and detailed installation drawings for the product. PTH has professional photography and post-production personnel who can provide installation videos for the product and intuitively demonstrate the installation steps and installation details of the product.

PTH owns on-site installation guidance experience for dozens of projects such as Mozambican light steel villa resorts, Chilean container camps, etc. It can provide EPC construction services and technical guidance according to the needs of customers to ensure the smooth and safe construction of the houses required by customers and realize real "Check-in".





We use BIM system to manage and operate the whole project. For the maintenance, PTH provide online technical support or maintenance service on the site per client requirement.

The customer is satisfied with our design and products. Its thermal insulation performance and space utilization rate are in line with the use requirements of the project. It has been installed and checked in.

Installation



Installation

